



- Real Estate Assessor's Office
- Assessment Appeal Process
- Assessment Information for Property Owners
- FAQs
- Forms & Information
- Land Use Program
- Real Estate Assessment Search**
- Real Estate Sales Search
- Real Estate Land Book
- USPS Place Name Change

Real Estate Assessment Information Disclaimer

Under Virginia State Law, these records are public information. Display of this information on the Internet is specifically authorized by the Code of Virginia §58.1-3122.2 (1998).

If you believe any data provided is inaccurate, or if you have any comments about this site, we would like to hear from you. Comments may be made by telephone at (804) 722-8629 or via e-mail to assessor@princegeorgecountyva.gov.

While the Office of Real Estate Assessor has attempted to ensure that the data contained in this file is accurate and reflects current property characteristics, the County of Prince George makes no warranties, expressed or implied, concerning the accuracy, completeness, reliability, or suitability of this data. The County of Prince George does not assume any liability associated with the use or misuse of this data.

To continue click >> [I AGREE](#)

Click I AGREE

Assessment Search

Search For:

6600

Search By:

- Tax ID
- Street Address
- Neighborhood No.

**Choose your search criteria.
Ex.: Search by Street Address
with the house number.
Click SEARCH.**

SEARCH

Search Results for 6600

Your search returned 15 results. Viewing 1 - 15

All addresses that start with 6600 will be listed. Click the blue Tax ID number that corresponds with the property you are searching for. (Scroll down to see all.)

← BACK TO SEARCH

1

Tax ID	Address	Owners Name
13A(01)00-006-0	6600 MIDDLE ROAD	BRADSHER NATALIE
13H(08)00-025-0	6600 SNOW GEESE LANE	PRITCHETT CHRISTOPHER Y
13H(09)00-012-0	6600 LAKEPOINT DR	BL ASSOCIATES II LLC
23B(04)0C-002-0	6600 BULL HILL ROAD	TUTWILER RICHARD C JR & DAVIDINA P
240(0A)00-012-A	6600 COURTHOUSE RD	COUNTY OF PRINCE GEORGE
240(0A)00-095-A	6600 PRINCE GEORGE DRIVE	PRITCHETT PHILIP L & BRENDA L
24E(01)0B-005-0	6600 COMMONS DRIVE	CHAPPELL CHARLES M & KELLY S

Assessment Search

Search For:

240(0A)00-012-A

Search By:

- Tax ID
- Street Address
- Neighborhood No.

Here is an example of how to enter the Tax ID. Each parcel has a unique Tax ID no. Click **SEARCH**.

SEARCH

Search Results for 240(0A)00-012-A

Your search returned 1 results. Viewing 1 - 1

[← BACK TO SEARCH](#)

1

Tax ID	Address	Owners Name
240(0A)00-012-A	6600 COURTHOUSE RD	COUNTY OF PRINCE GEORGE

1

Click on the blue Tax ID.

© 2016 Prince George County

Assessment Search

Search For:

2901

Search By:

- Tax ID
- Street Address
- Neighborhood No.

SEARCH

Here is an example of how to search Neighborhood No. Following you will see an example of where to find the Neighborhood No.

Search Results for 2901

Your search returned 191 results. Viewing 1 - 25

Click Next or Scroll for all results.

BACK TO SEARCH

1 2 3 4 5 Next Last

Tax ID	Address	Owners Name
120(06)00-00A-1	4725 JEFFERSON PARK ROAD	TWENTY FIVE SAC SELF STORAGE LTD PT
120(06)00-00C-0	4215 BAILEYS RIDGE BLVD	CLAYTON HOLDINGS LLC
120(0A)00-017-A		PRINCE GEORGE ELECTRIC COOP
120(0A)00-017-B		DOMINION VIRGINIA POWER
12A(02)06-001-0	5002 OAKLAWN BOULEVARD	MGI VENTURES LLC
12A(02)06-014-0	3695 JEFFERSON PARK RD	HUGHES OUTDOOR MEDIA LLC
12A(02)06-016-0	3707 JEFFERSON PARK ROAD	DINGAS LARRY D & SHERRY H

Prince George County Online Assessments

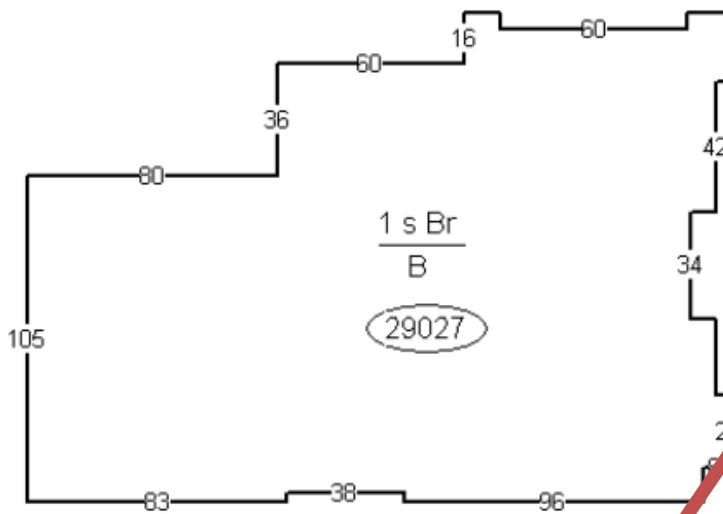
Questions or Comments? Contact Us

Email: assessor@princegeorgecountyva.gov **Tel:** (804) 722-8629

[← BACK TO SEARCH](#)



After choosing your property, this page will appear and show property details. Scroll down for all property information.



Click Sketch 1 Link and view the Sketch.

Click PRC Link to view the property record card.

Links	
Sketches	Sketch 1 Link
Property Record Card	PRC Link

COUNTY OF PRINCE GEORGE
 P O BOX 68
 PRINCE GEORGE, VA 23875
 NEAR COURTHOUSE
 ACRES:14.1908

Neighborhood Number
 2901

Neighborhood Name
 Commercial PGFA 2

TAXING DISTRICT INFORMATION
 Jurisdiction Name PRINCE GEORGE COUNTY
 Area 001
 District P2
 Section & Plat 206/586

Transfer of Ownership

Location of Neighborhood No. on the property record card.

Site Description
 Topography
 Public Utilities
 Street or Road
 Neighborhood
 Zoning:
 R-A, Residential Agricultural
 Legal Acres:
 14.1908

Valuation Record								
Assessment Year		2011	2012	2013	2013	2014	2015	2016
Reason for Change		Reassess	Reassess	Reassess	FY 14 LB	Reassess	Reassess	Reassess
Market Value	L	1165000	1165000	1165000	1165000	1165000	1165000	1165000
	I	13999600	13999600	13999600	13999600	15919600	15541800	16788300
Taxable Value	L	15164600	15164600	15164600	15164600	17084600	16706800	17953300
	T	1165000	1165000	1165000	1165000	1165000	1165000	1165000
	I	13999600	13999600	13999600	13999600	15919600	15541800	16788300
	T	15164600	15164600	15164600	15164600	17084600	16706800	17953300



Land Size				
Land Type	Rating, Soil ID - or - Actual Frontage	Acreage - or - Effective Frontage	Square Feet - or - Effective Depth	Influence Factor
Commercial - NE Vac				150%

The Assessment Year 2016 is a reflection of the Fiscal Year 07/01/2016—06/31/2017, which is the 2017 tax year. The tax payments for this cycle are December 5, 2016 and June 5, 2017.

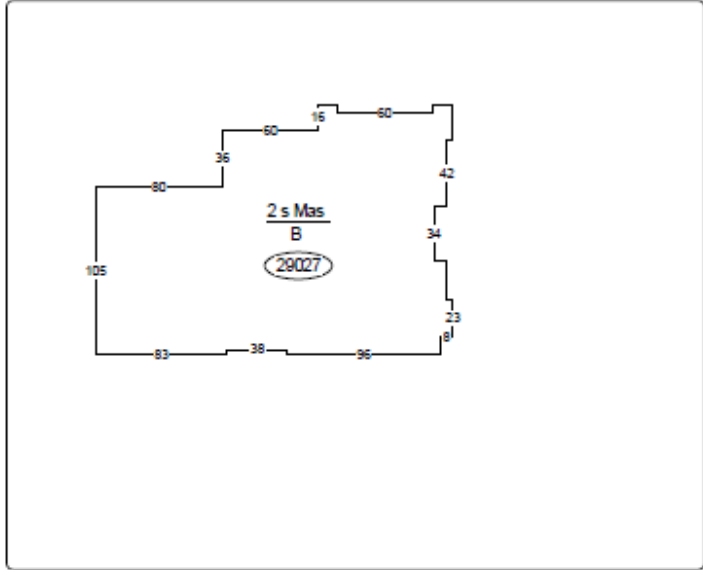
Above is an example of a property record card. Scroll down to view the entire property record card.

Physical Characteristics

Tax ID SF-11550,MS-1,YB-72

Printed 05/18/2016

Empty box for Physical Characteristics description.



Empty box for Special Features description.

Special Features	
Description	

Summary of Improvements								
ID	USE	Story Height	Const Type	Grade	Year Cons	Eff Year	Cond	Size or Area
c	COMDGG	0.00		55	1995	1995	3	58054

Real Estate
Assessor's
Office

Assessment Appeal
Process

Assessment Information
for Property Owners

FAQs

Forms & Information

Land Use Program

Real Estate Assessment
Search

Real Estate Sales
Search

Real Estate Land Book

USPS Place Name
Change

Real Estate Sales Search Disclaimer

Under Virginia State Law, these records are public information. Display of this information on the Internet is specifically authorized by the Code of Virginia §58.1-3122.2 (1998).

If you believe any data provided is inaccurate, or if you have any comments about this site, we would like to hear from you. Comments may be made by telephone at (804) 722-8629 or via e-mail to assessor@princegeorgecountyva.gov.

While the Office of Real Estate Assessor has attempted to ensure that the data contained in this file is accurate and reflects current property characteristics, the County of Prince George makes no warranties, expressed or implied, concerning the accuracy, completeness, reliability, or suitability of this data. The County of Prince George does not assume any liability associated with the use or misuse of this data.

To continue click >> [I AGREE](#)



Click Real Estate
Assessment



Click I AGREE.

Sale Search

Start Date:

End Date:

Property Class:

Number of Stories:

Select Neighborhood Number:

SEARCH

You can search sales by any Date range, Property Class, Number of Stories, and Neighborhood Number. For questions about Property Class or Neighborhood Numbers, feel free to call the Assessor's Office at 804-722-8629.

Click SEARCH.

Your search returned 10 results. Viewing 1 - 10

BACK TO SEARCH

1

Parcel ID	12C(02)00-056-0
Property Class	210
Sale Price	335500
Sale Date	07/01/2016
Address	4469 CYPRESS CREEK DRIVE
Finished Size	2775
Stories	2.0
Acres	1.5900
NBHD	2010

Parcel ID	12E(01)00-024-0
Property Class	210
Sale Price	410000
Sale Date	07/01/2016

Scroll through the list and click on the blue Parcel ID to open the property record for each sale.

Refer back to instructions on Page 5 for information on how to open and view a property record card.